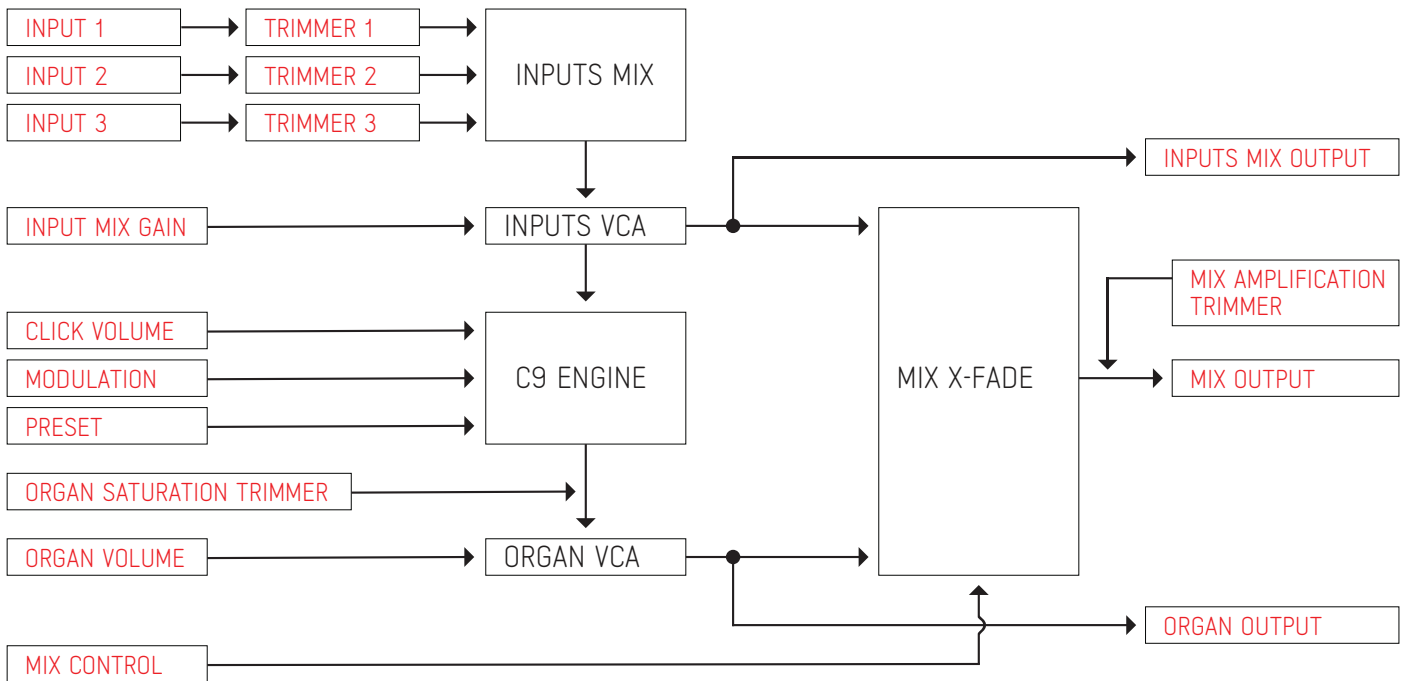


ADDAC709C EHX C9 VC ORGAN MACHINE

Revision.01 June.2016

WORKING DIAGRAM



VOLTAGE CONTROLS INPUT DIAGRAM

