



ADDAC System

ADDAC System[®]
10th Year Anniversary : 2009 -> 2019
INSTRUMENTS FOR SONIC EXPRESSION

ADDAC901M MONSTER FRAME PSU Guide
USER'S GUIDE . REV01

April.2020

Welcome to: ADDAC901M Power Supply Unit

& POWER DISTRIBUTION GUIDE

Revision.01 April.2020

OVERVIEW

Our Power Supply Unit was designed to be safe and reliable while keeping an overall low noise profile.

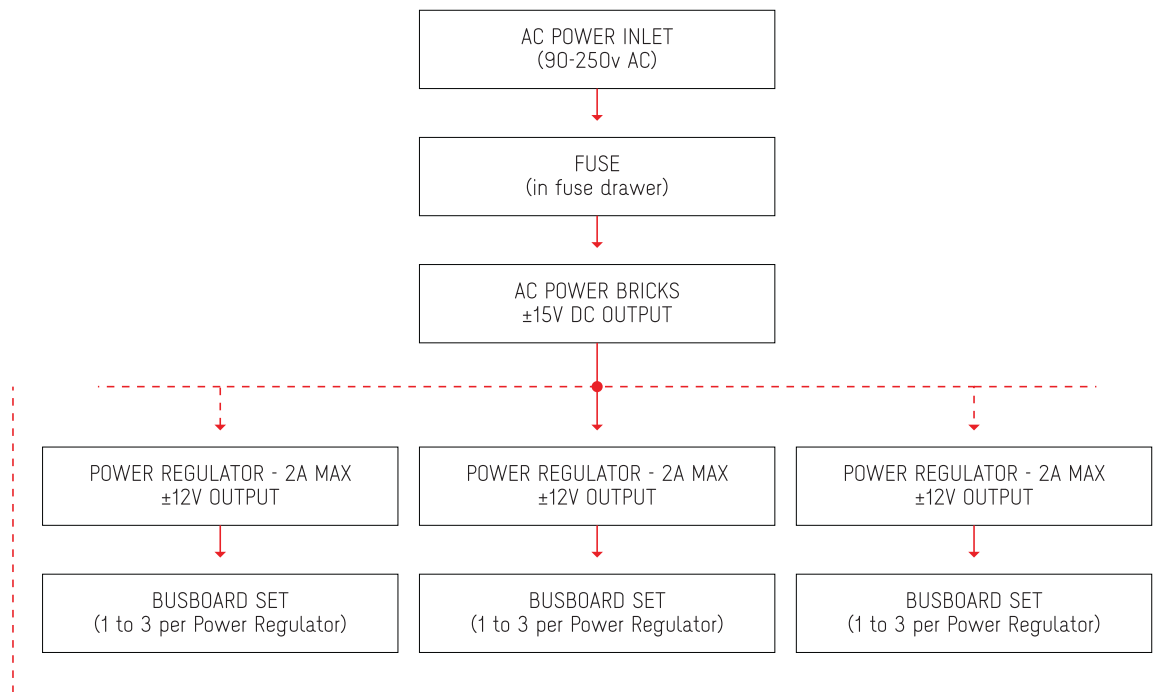
The power supply unit is comprised of three different parts:

Universal AC input (90-250v) Switching Power Bricks provide $\pm 15\text{v}$ Outputs (20A to 40A options)

Custom analog regulator boards with heatsinks bring +15v down to +12v (max 4A per regulator, 2A per rail)

Busboards distribute current to all modules

POWER CONFIGURATION DIAGRAM



The final number of Power Regulators and the Busboard distribution will depend on the custom options.

ADDAC901M Power Supply Unit

& POWER DISTRIBUTION GUIDE

AC POWER BRICKS

Mean Well Universal AC to +15v DC with built automatic fan and shutdown protection for:

Over Current - when maximum current is exceeded (for when a module ribbon cable is reversed)

Over Heating - if the AC Brick is over heating

Over Voltage - if the voltage changes above or below the expected output

If one of these issues happens then the PSU will enter an intermittent ON/OFF state until the issue is corrected.

FUSE

The fuse is located in a drawer next to the AC Inlet Plug.

The drawer can hold up to 2 fuses, one of them is a spare that may come very handy sometime.

In case the fuse burns replace with a new one with the same value (value depends on the frame psu option).

POWER REGULATORS

Each Power Regulator provide 2A on -12v and 2A on +12v to it's set of busboards.

Manage the placement of your modules so that the sum of all power from each Busboard Set stays below this limit.

ModularGrid is a great place for planning while having a current consumption prediction:

<https://www.modulargrid.net>

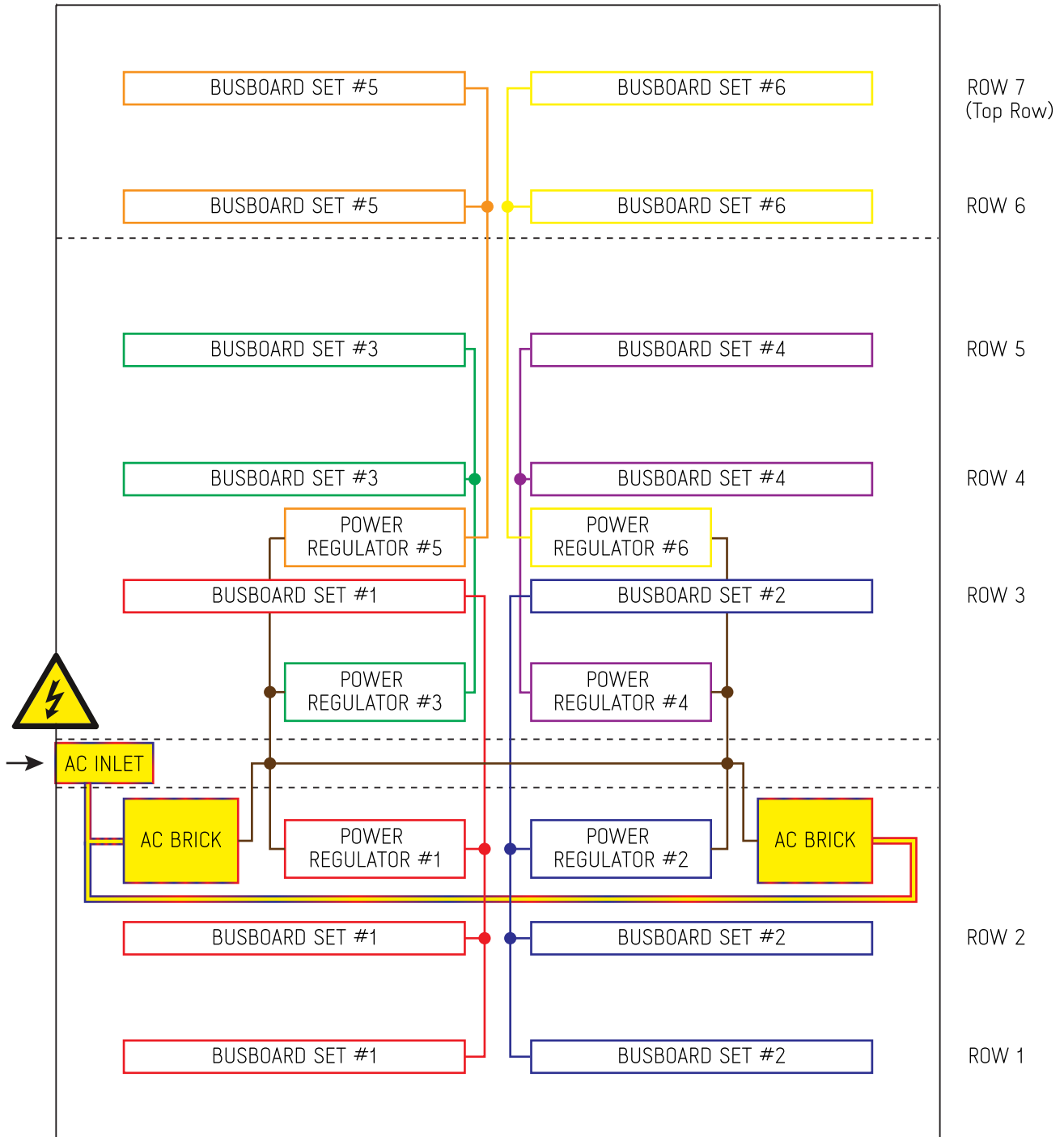
PS. Our power regulators are built to withstand a higher current than our 2A per rail recommendation, although this is not recommended as the heatsinks will not be enough to dissipate all the generated heat.

FURTHER CONSIDERATIONS

It's always a good advice and practice to keep your overall consumption below 80% of the available power.

ADDAC901M Monster Frame

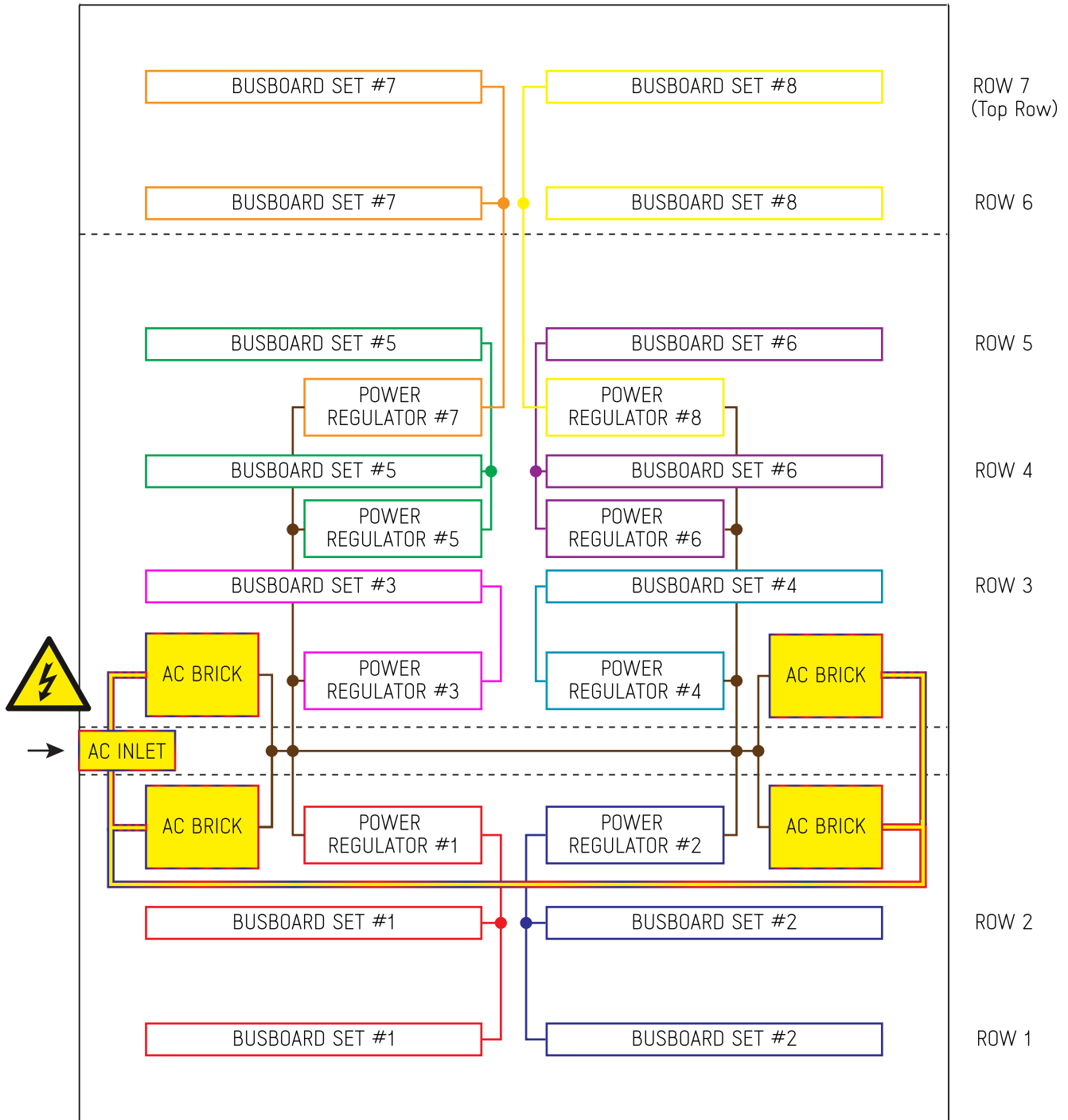
POWER DISTRIBUTION LAYOUT - Standard Version: 10A +12v & 10A -12v



Standard Connections. custom setups can be requested.

ADDAC901M Monster Frame

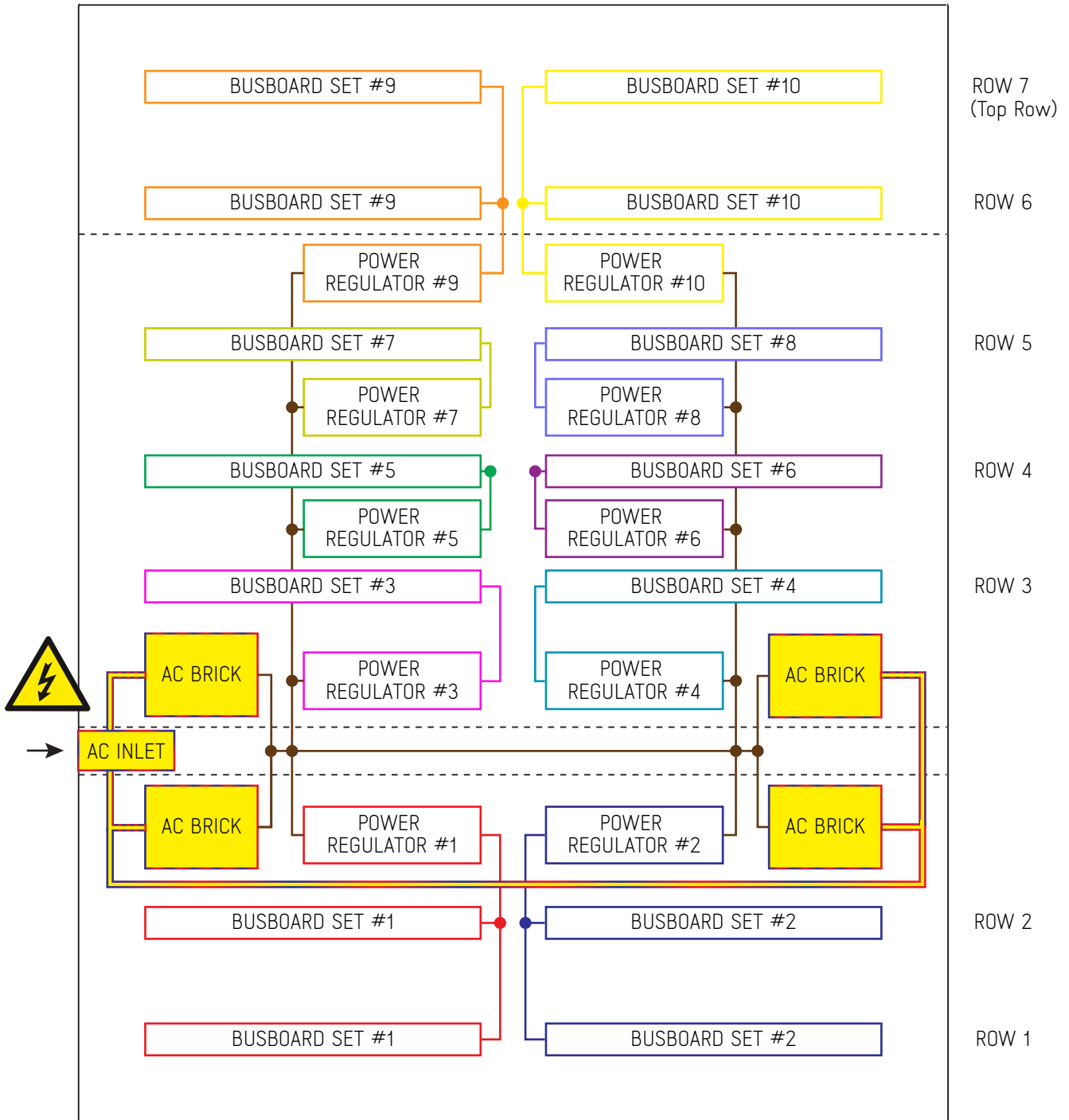
POWER DISTRIBUTION LAYOUT - Custom Version: 15A +12v & 15A -12V



Standard Connections. custom setups can be requested.

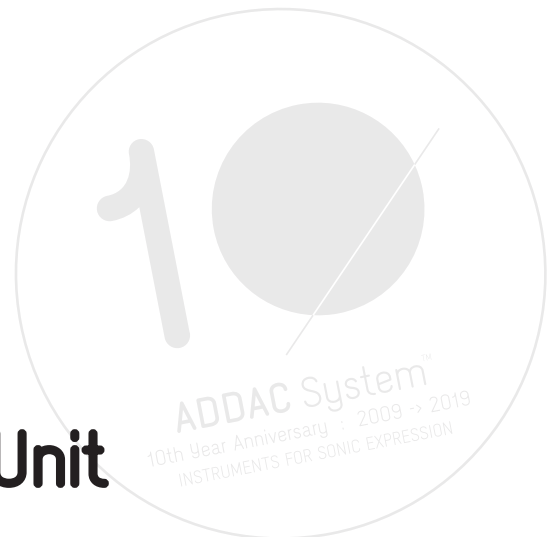
ADDAC901M Monster Frame

POWER DISTRIBUTION LAYOUT - Custom Version: 20A +12v & 20A -12V



Standard Connections. custom setups can be requested.

For feedback, comments or problems please contact us at:
addac@addacsystem.com



ADDAC901M Power Supply Unit

& POWER DISTRIBUTION GUIDE

Revision.01 April.2020